

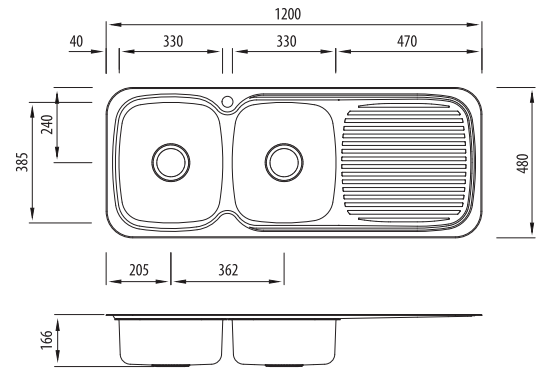
# LakeLand

LL156

Double Bowl Sink With Drainer



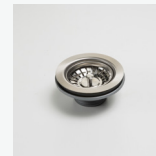
All dimensions in mm



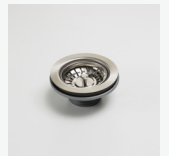
## Specifications /

|  |  |
|--|--|
| <b>Sink size</b>                         | 1200W x 480H mm  |
| <b>Bowl size</b>                         | Main Bowl<br>330W x 385H x 155D / 17L<br>Main Bowl<br>330W x 385H x 155D / 17L   |
| <b>Construction</b>                      | 2 piece, bowls and drainer seam welded   |
| <b>Material</b>                          | 304 grade, 18/10 polished stainless steel (0.9 mm thick)   |
| <b>Installation</b>                      | Topmount recommended   |
| <b>Fixings</b>                           | Adjustable clips and sealing foam supplied   |
| <b>Min cabinet size</b>                  | 800 mm   |
| <b>Tap holes</b>                         | 1 tap hole only  |
| <b>Waste fittings</b>                    | 2 x 90 mm basket wastes included   |
| <b>Overflow</b>                          | Not available  |
| <b>Carton size</b>                       | 1210 x 490 x 170 mm  |
| <b>Weight</b>                            | 7.5 kg   |
| <b>Warranty</b>                          | Lifetime manufacturer's warranty (refer to <a href="http://oliveri.com.au">oliveri.com.au</a> )  |
| <b>Maintenance and care instructions</b> | All surfaces should be cleaned with mild liquid detergent or soap and water. To maintain the shine on your Oliveri stainless steel sink, we recommended the use of any of the easy to obtain, non-abrasive stainless steel cleaners or metal polishes. |

## Included accessories /



**AC14**  
Basket Waste



**AC14**  
Basket Waste

